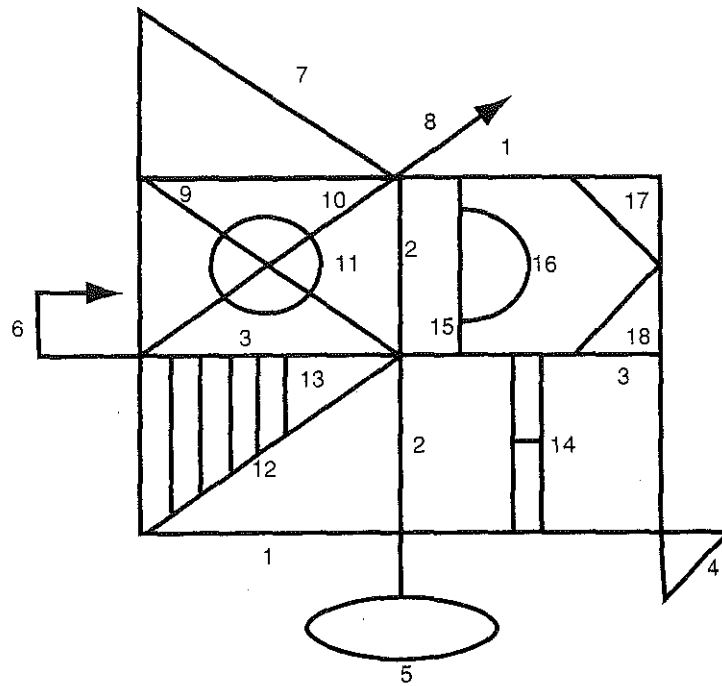


Figure 10-34 Medical College of Georgia Complex Figure 1 and legend. Source: Courtesy of D. W. Loring. Reproduced with permission.



Scoring System for MCG Complex Figure 1

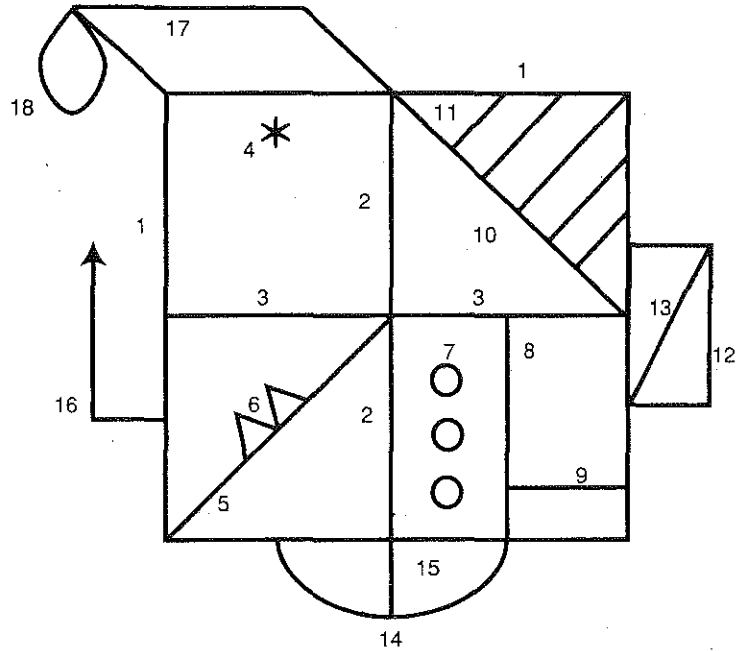
Units:	COPY	DELAY
1. Large rectangle	_____	_____
2. Vertical midline of 1	_____	_____
3. Horizontal midline of 1	_____	_____
4. Small triangle outside of the lower right hand corner of 1	_____	_____
5. Oval and attaching line at the bottom of 1	_____	_____
6. Bent arrow to the left of 1	_____	_____
7. Triangle above left upper quadrant of 1	_____	_____
8. Tilted arrow at top of 1	_____	_____
9. Diagonal in upper left quadrant of 1	_____	_____
10. Second diagonal in the upper left quadrant of 1	_____	_____
11. Circle in upper left quadrant of 1	_____	_____
12. Diagonal in lower left quadrant of 1	_____	_____
13. Five vertical lines extending above 12	_____	_____
14. Two vertical lines with connecting line in the lower right quadrant of 1	_____	_____
15. Vertical line in the upper right quadrant of 1	_____	_____
16. Semicircle attached to the right of 15	_____	_____
17. Diagonal line at the upper right hand corner of 1	_____	_____
18. Diagonal line extending from the bottom of 17 to 3	_____	_____
TOTAL SCORE	_____	_____

Scoring:

Consider each of the eighteen units separately. Appraise accuracy of each unit and relative position within the whole of the design. For each unit count as follows:

Correct, placed properly	2 points
Correct, placed poorly	1 point
Distorted or incomplete but recognizable, placed properly	1 point
Distorted or incomplete but recognizable, placed poorly	½ point
Absent or not recognizable	0 points
Maximum	36 points

Figure 10-35 Medical College of Georgia Complex Figure 2 and legend. *Source:* Courtesy of D. W. Loring. Reproduced with permission.



Scoring System for MCG Complex Figure 2

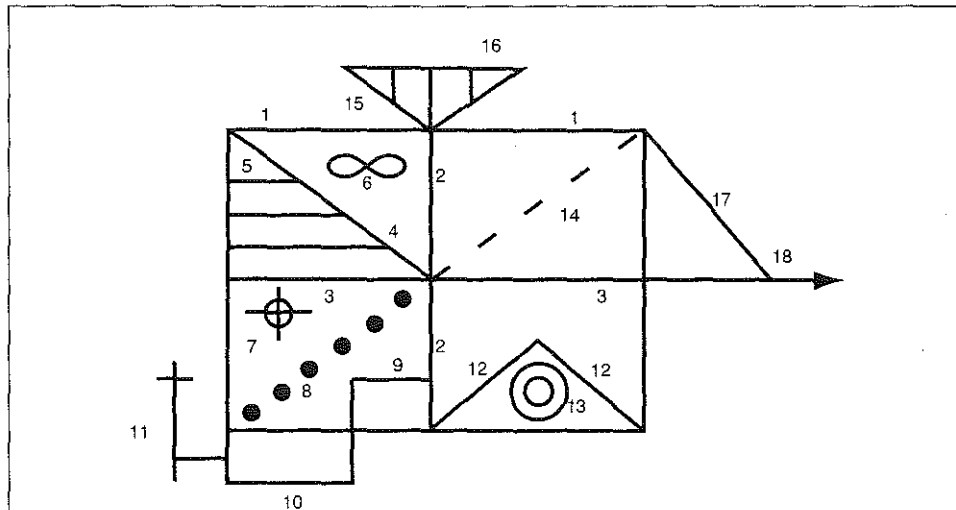
<u>Units:</u>	COPY	DELAY
1. Large square	_____	_____
2. Vertical midline for 1	_____	_____
3. Horizontal midline for 1	_____	_____
4. Asterisk in the upper left quadrant of 1	_____	_____
5. Diagonal in the lower left quadrant of 1	_____	_____
6. Two triangles on top of 5	_____	_____
7. Three circles in the lower right quadrant of 1	_____	_____
8. Vertical midline in the lower right quadrant of 1	_____	_____
9. Horizontal line to the right of 8	_____	_____
10. Vertical line in the upper right quadrant of 1	_____	_____
11. Five diagonal lines which are perpendicular and superior to 10	_____	_____
12. Small rectangle to the right of 1	_____	_____
13. Diagonal line in 12	_____	_____
14. Semicircle at the base of 1	_____	_____
15. Vertical line in 14	_____	_____
16. Angulated arrow to the left of 1	_____	_____
17. Parallelogram above 1	_____	_____
18. Tear drop attached to 17	_____	_____
TOTAL SCORE	_____	_____

Scoring:

Consider each of the eighteen units separately. Appraise accuracy of each unit and relative position within the whole of the design. For each unit count as follows:

Correct, placed properly	2 points
Correct, placed poorly	1 point
Distorted or incomplete but recognizable, placed properly	1 point
Distorted or incomplete but recognizable, placed poorly	½ point
Absent or not recognizable	0 points
Maximum	36 points

Figure 10-36 Medical College of Georgia Complex Figure 3 and legend. Source: Courtesy of D. W. Loring. Reproduced with permission.



Scoring System for MCG Complex Figure 3

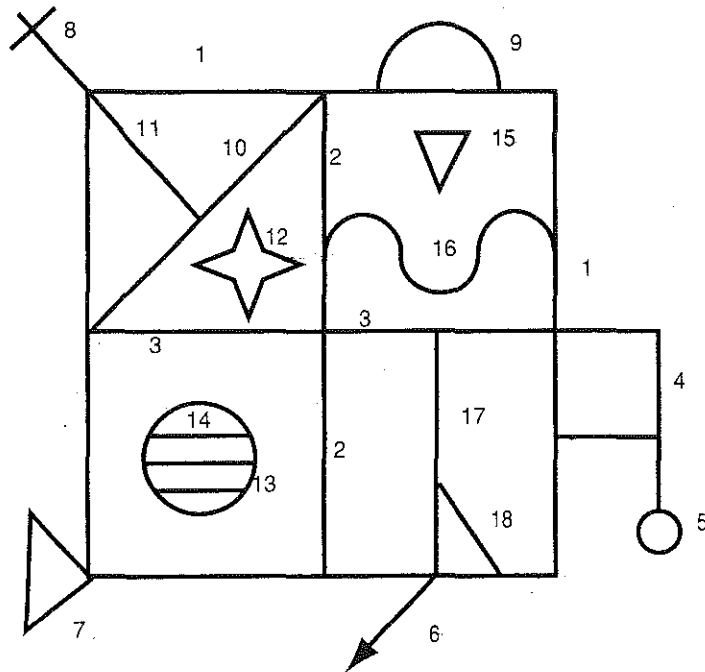
<u>Units:</u>	COPY	DELAY
1. Large rectangle	_____	_____
2. Vertical midline of 1	_____	_____
3. Horizontal midline of 1	_____	_____
4. Diagonal line in left upper quadrant of 1	_____	_____
5. Three horizontal lines extending to the left of 4	_____	_____
6. Infinity sign in the left upper quadrant of 1	_____	_____
7. Circle and cross in the lower left quadrant of 1	_____	_____
8. Six diagonal dots in the lower left quadrant of 1	_____	_____
9. Small rectangle in the lower left quadrant of 1	_____	_____
10. Small rectangle extending from the bottom of 1	_____	_____
11. Cross attached to 10	_____	_____
12. Two lines forming a right angle in the lower right quadrant of 1	_____	_____
13. Two concentric circles placed under 12	_____	_____
14. Four dashed lines forming a diagonal in the upper right quadrant of 1	_____	_____
15. Triangle atop 1	_____	_____
16. Three vertical lines in 15	_____	_____
17. Triangle to the right of 1	_____	_____
18. Arrow attached to the right of 17	_____	_____
TOTAL SCORE	_____	_____

Scoring:

Consider each of the eighteen units separately. Appraise accuracy of each unit and relative position within the whole of the design. For each unit count as follows:

Correct, placed properly	2 points
Correct, placed poorly	1 point
Distorted or incomplete but recognizable, placed properly	1 point
Distorted or incomplete but recognizable, placed poorly	½ point
Absent or not recognizable	0 points
Maximum	36 points

Figure 10-37 Medical College of Georgia Complex Figure 4 and legend. *Source:* Courtesy of D. W. Loring. Reproduced with permission.



Scoring System for MCG Complex Figure 4

Units:	COPY	DELAY
1. Large square	_____	_____
2. Vertical midline of 1	_____	_____
3. Horizontal midline of 1	_____	_____
4. Rectangle to the right of 1	_____	_____
5. Circle with stem attached to 4	_____	_____
6. Angled arrow at bottom of 1	_____	_____
7. Small triangle attached to the outside of the lower left hand corner of 1	_____	_____
8. Cross attached to the outside of the upper left corner of 1	_____	_____
9. Semicircle on top of 1	_____	_____
10. Diagonal line in upper left quadrant of 1	_____	_____
11. Perpendicular line extending superiorly from 10	_____	_____
12. Four-pointed star in the left upper quadrant of 1	_____	_____
13. Circle in lower left quadrant of 1	_____	_____
14. Three horizontal lines inside of 13	_____	_____
15. Small triangle in the upper right quadrant of 1	_____	_____
16. Sine wave in the upper right quadrant of 1	_____	_____
17. Vertical midline of the lower right quadrant of 1	_____	_____
18. Diagonal line extending to the right of 17	_____	_____
TOTAL SCORE	_____	_____

Scoring:

Consider each of the eighteen units separately. Appraise accuracy of each unit and relative position within the whole of the design. For each unit count as follows:

Correct, placed properly	2 points
Correct, placed poorly	1 point
Distorted or incomplete but recognizable, placed properly	1 point
Distorted or incomplete but recognizable, placed poorly	½ point
Absent or not recognizable	0 points
Maximum	36 points